

TEVISIO

LED MAGNIFIER



FEATURES:

- 6" diameter wide-angle, scratch-resistant glass lens
- Spring-balanced arm for easy adjustments
- Available in 31" or 39" arm length versions
- Available in ESD versions
- 40% energy savings compared to fluorescents
- 50,000 hours maintenance-free LED life
- 100% to 10% dimming capability

SPECIFICATIONS:

Voltage	100-240 VAC, 50/60 Hz
Lamping	48 x LED
Operation	touch-panel on head
Magnification	3.5 diopters or 3.5d + 8d
Color Temperature	4000 K
Color Rendering Index (CRI)	90
Luminaire Material	anodized aluminum
Lens Material	glass
Lens Dimension	6.3" diameter
Arm Reach	31" or 39"
Power Consumption	14 W
Connection	12' cable w/ US plug
Protection Rating	IP20
Certification	ETL/cETL
Mounting and accessories	See page 73

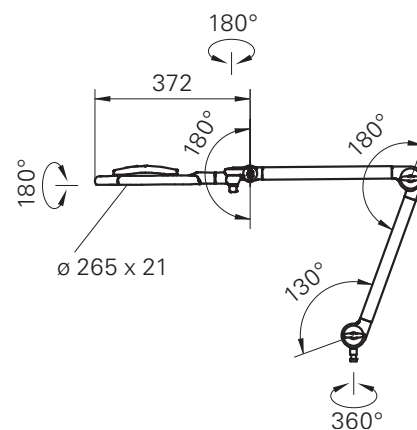


Shown with add-x magnifier sold separately



TEVISIO lives up to the high standards of the Waldmann product line. 48 premium LEDs illuminate a 6" wide-angle, distortion-free lens. Touch enabled dimming provides customization of the light output from 100% to 10%. Innovative balanced-arm technology allows for easy adjustment and precise positioning while six independent swivel joints turn the head up to 90 degrees in every direction. TEVISIO compares at 40% more efficient than conventional magnifier luminaires.

DIMENSIONAL DATA



Measurements in millimeters

ORDERING INFORMATION

Wattage	Version	Arm Reach	Magnification	Segment Switching	Lumens	Model	Part #
14 W	Standard	31" (784 mm)	3.5 diopters	No	600	RLLQ 48 R	112919000-00587335
14 W	Standard	31" (784 mm)	3.5 + 8 diopters	No	600	RLLQ 48 R	112919000-00587338
14 W	Standard	31" (784 mm)	3.5 diopters	Yes	600	RLLQ 48 2/R	112919000-00587341
14 W	Standard	31" (784 mm)	3.5 + 8 diopters	Yes	600	RLLQ 48 2/R	112919000-00587344
14 W	Max	39" (984 mm)	3.5 diopters	No	600	RLLQ 48 R	112918000-00587322
14 W	Max	39" (984 mm)	3.5 + 8 diopters	No	600	RLLQ 48 R	112918000-00587326
14 W	Max	39" (984 mm)	3.5 diopters	Yes	600	RLLQ 48 2/R	112918000-00587329
14 W	Max	39" (984 mm)	3.5 + 8 diopters	Yes	600	RLLQ 48 2/R	112918000-00587332
14 W	ESD	31" (784 mm)	3.5 diopters	No	600	RLLQ 48 R	113016000-00595384
14 W	ESD	39" (984 mm)	3.5 diopters	No	600	RLLQ 48 R	113015000-00595377

Mounting Options	Item	Dimensions	Part #
	Table clamp for pin mount (included)	0" - 3.5" span	19102506940
	Wall bracket for pin mount	3" x 3"	226108019-00610754
	Table clamp, ESD safe	0" - 3" span	190100029-00089021
	1/2" pin mount adapter	1.77" length	US0209022
	1/2" pin mount adapter	3.75" length	US0209012

Accessories	Item	Features	Part #
	Add-x magnifier	3.5 diopters (1.88X)	190208019-00575924
	Plug-in converter (included)	100-240 VAC w/quick disconnect	309414070-00555523